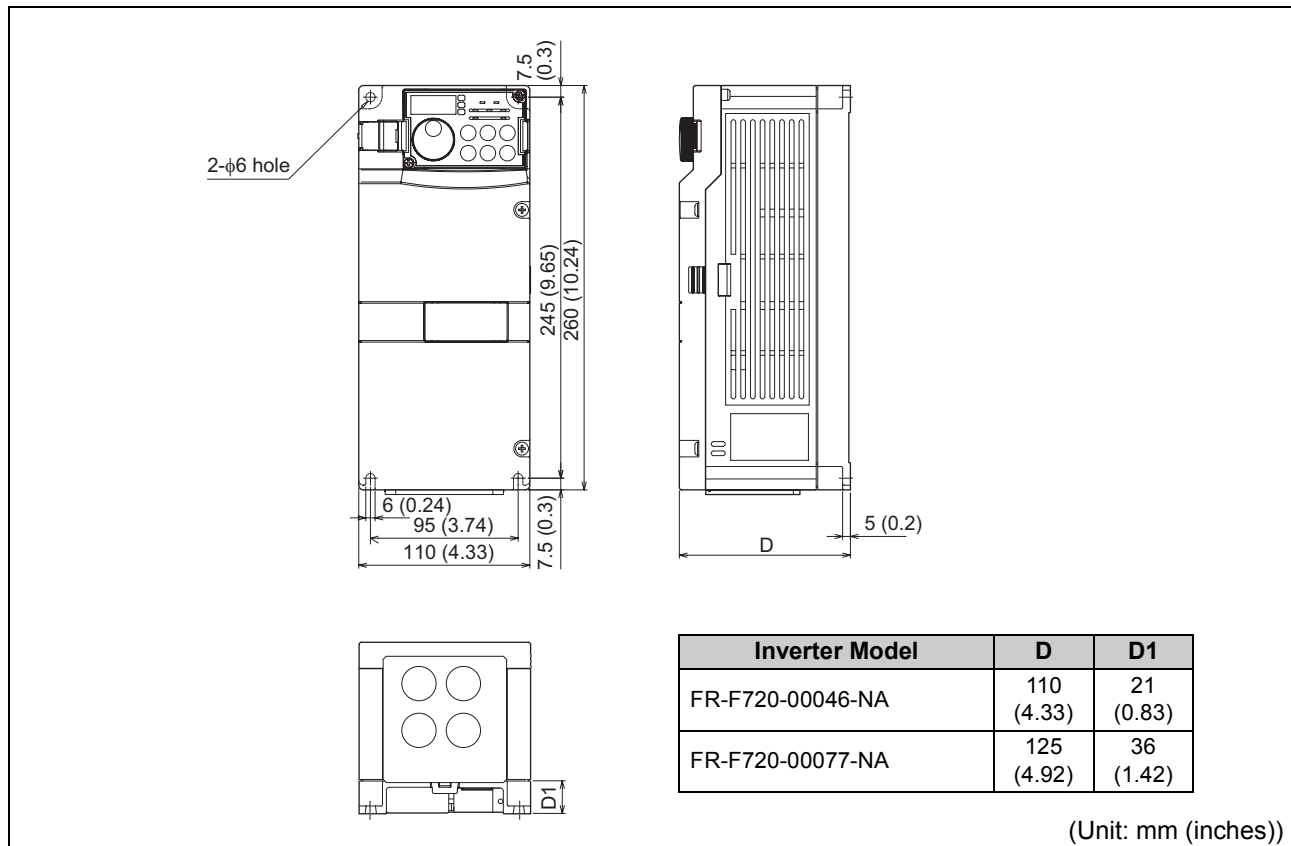


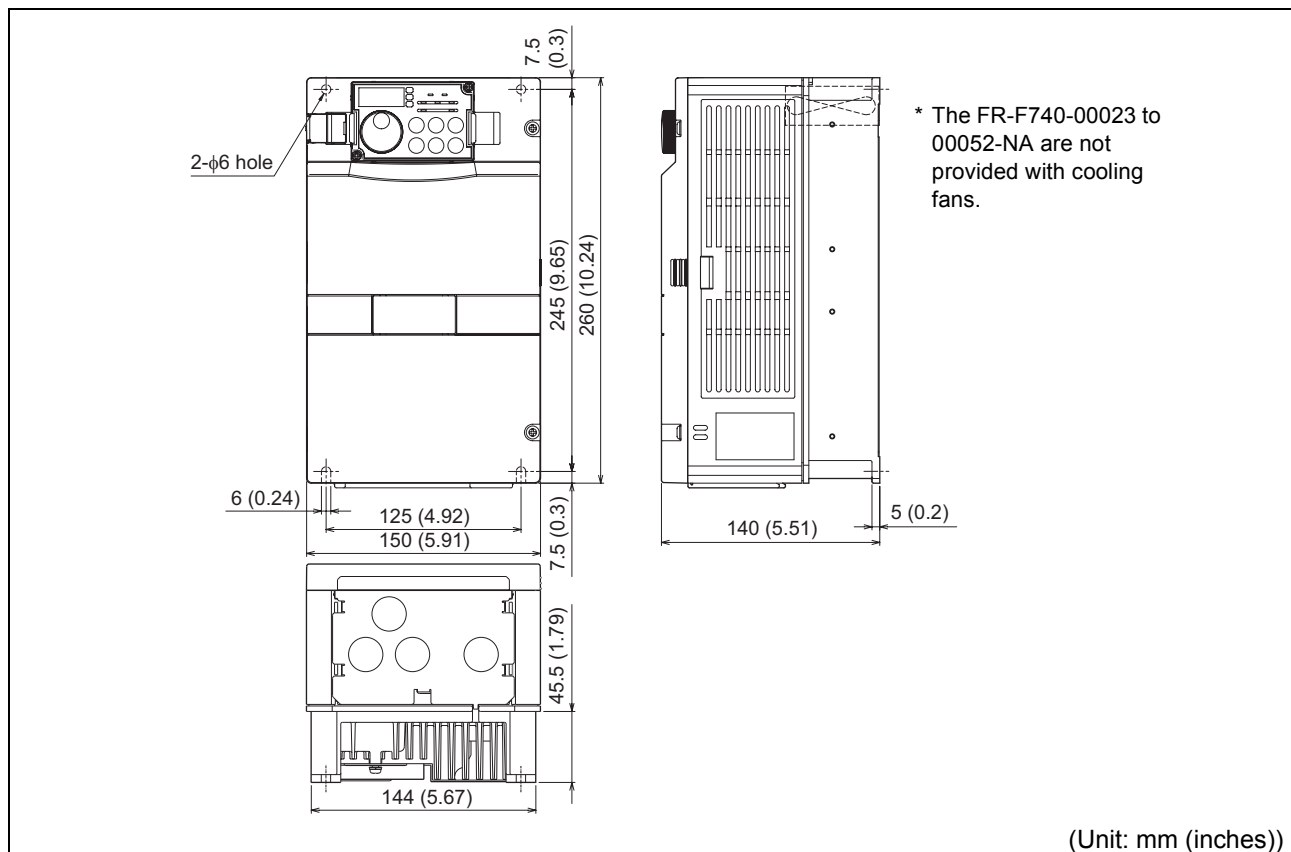


7.3 Outline dimension drawings

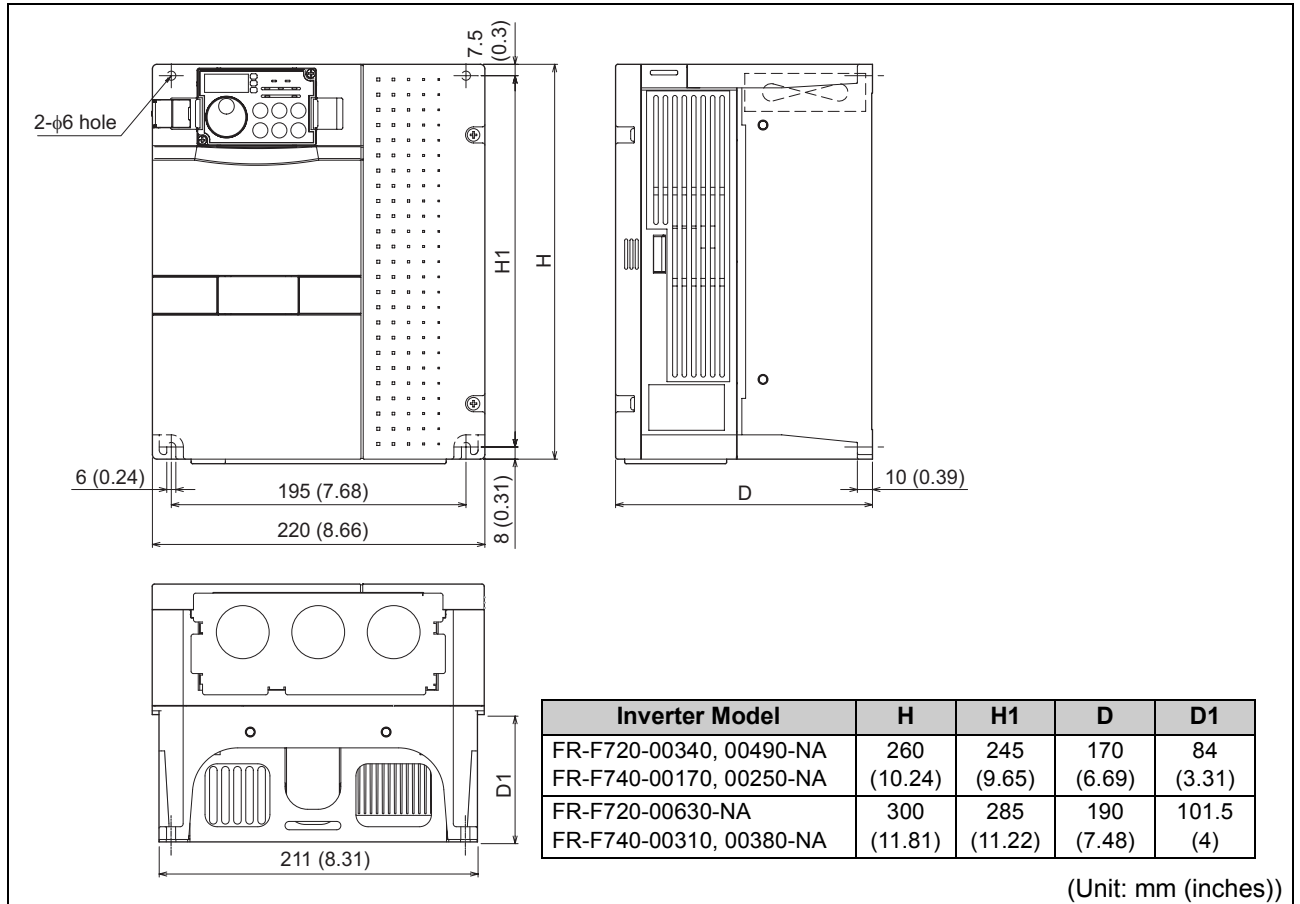
- FR-F720-00046 and 00077-NA



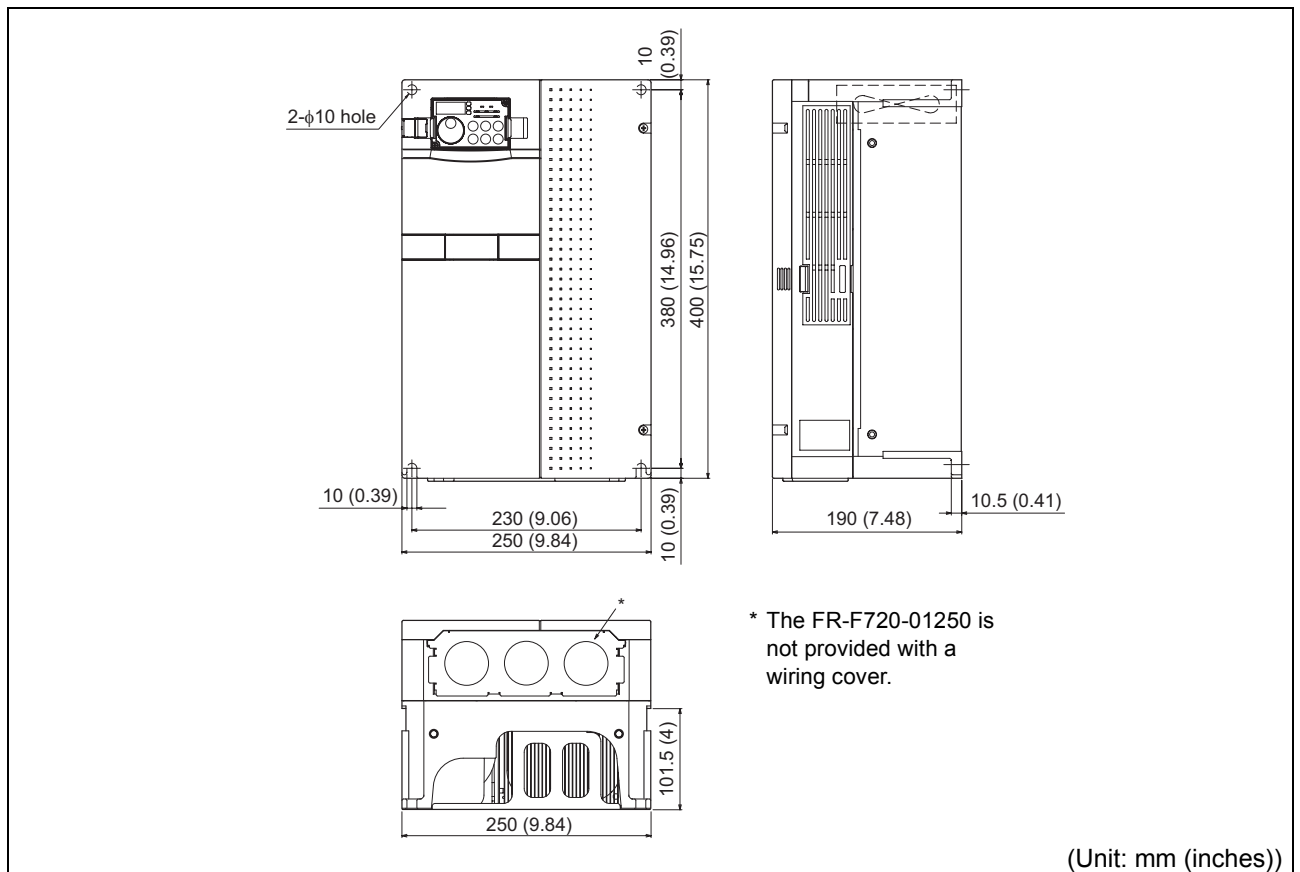
- FR-F720-00105, 00167, 00250-NA
- FR-F740-00023, 00038, 00052, 00083, 00126-NA



- FR-F720-00340, 00490, 00630-NA
- FR-F740-00170, 00250, 00310, 00380-NA

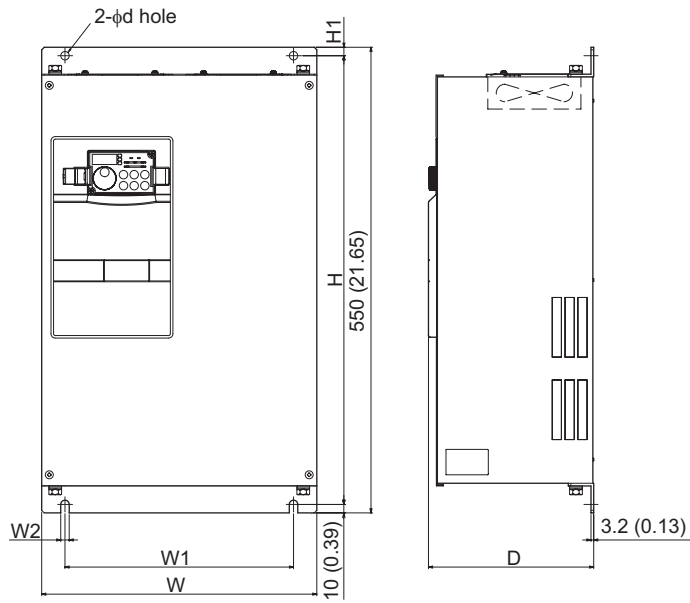


- FR-F720-00770, 00930, 01250-NA
- FR-F740-00470, 00620-NA





- FR-F720-01540, 01870, 02330-NA
- FR-F740-00770, 00930, 01160-NA

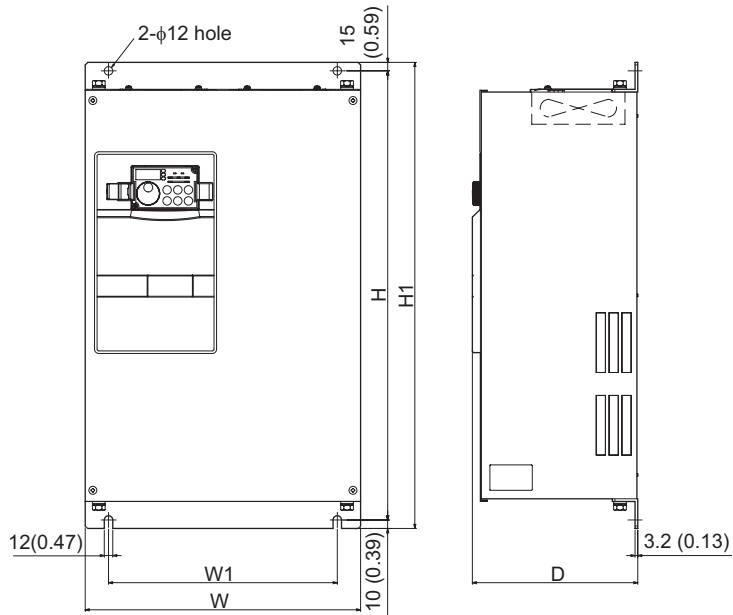


Inverter Model	W	W1	W2	H1	H2	d	D
FR-F720-01540-NA FR-F740-00770-NA	325 (12.8)	270 (10.63)	10 (0.39)	530 (20.87)	10 (0.39)	10 (0.39)	195 (7.68)
FR-F720-01870, 02330-NA FR-F740-00930, 01160-NA	435 (17.13)	380 (14.96)	12 (0.47)	525 (20.67)	15 (0.59)	12 (0.47)	250 (9.84)

(Unit: mm (inches))

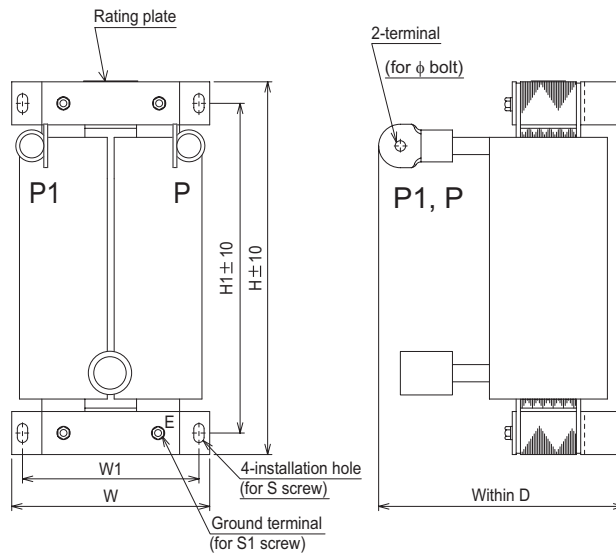


• FR-F740-01800-NA



Inverter Model	W	W1	H	H1	D
FR-F740-01800-NA	435 (17.13)	380 (14.96)	525 (20.67)	550 (21.65)	250 (9.84)

• DC reactor supplied

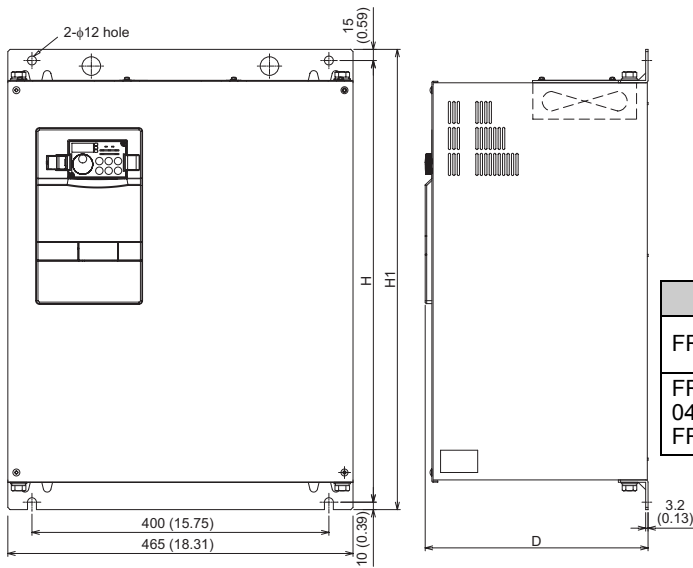


DC reactor Model	W	W1	H	H1	D	Mass (kg(lbs))
FR-HEL-H90K (FR-F740-01800-NA)	150 (5.91)	130 (5.12)	340 (13.39)	310 (12.20)	190 (7.48)	20 (44)

(Unit: mm (inches))

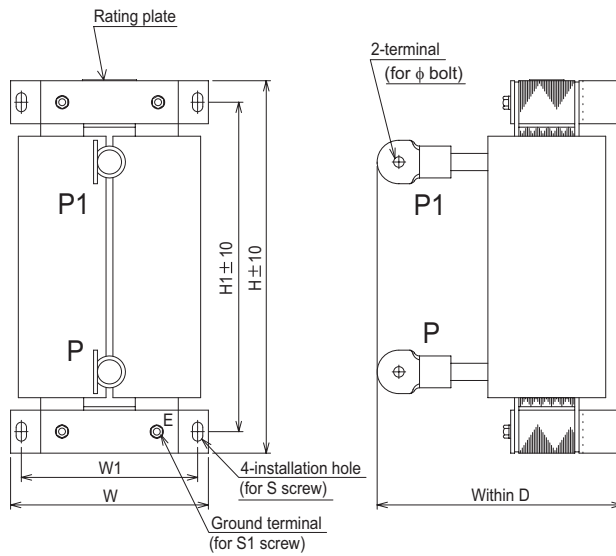


- FR-F720-03160, 03800, 04750-NA
- FR-F740-02160, 02600, 03250, 03610-NA



Inverter Model	H	H1	D
FR-F740-02160, 02600-NA	595 (23.43)	620 (24.41)	300 (11.81)
FR-F720-03160, 03800, 04750-NA FR-F740-03250, 03610-NA	715 (28.15)	740 (29.13)	360 (14.17)

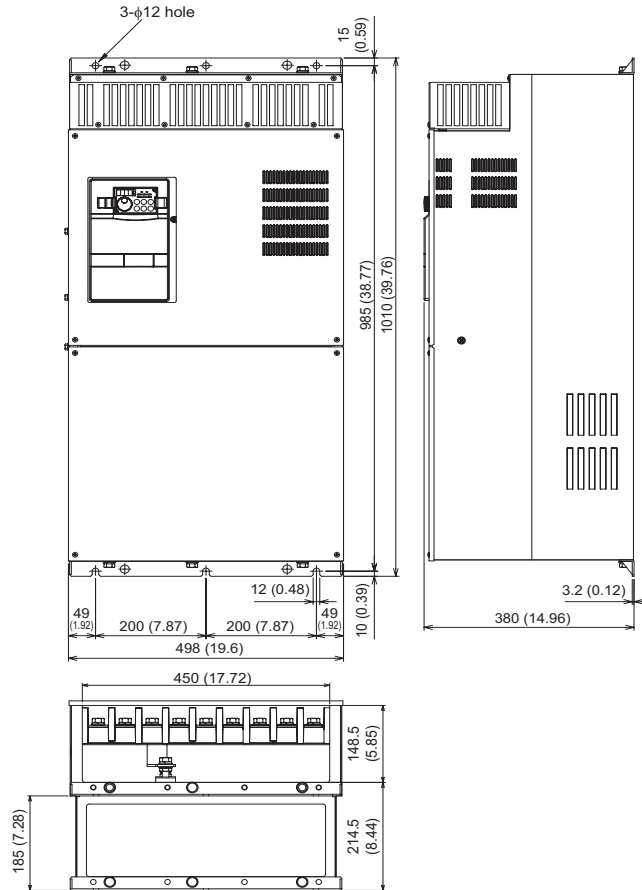
• DC reactor supplied



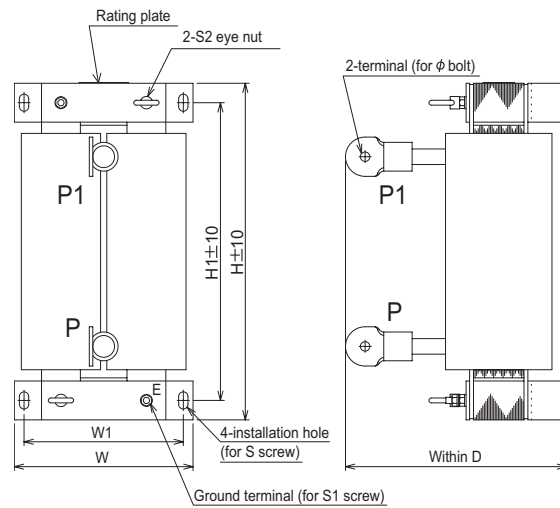
DC reactor Model	W	W1	H	H1	D	S	S1	Mass (kg(lbs))
FR-HEL-75K(FR-F720-03160-NA)	150 (5.91)	130 (5.19)	340 (13.39)	310 (12.2)	190 (7.48)	M6	M6	17 (37.4)
FR-HEL-90K(FR-F720-03800-NA)	150 (5.91)	130 (5.19)	340 (13.39)	310 (12.2)	200 (7.87)	M6	M6	19 (41.8)
FR-HEL-110K(FR-F720-04750-NA)	175 (6.89)	150 (5.91)	400 (15.74)	365 (14.37)	200 (7.87)	M8	M6	20 (44)
FR-HEL-H110K(FR-F740-02160-NA)	150 (5.91)	130 (5.19)	340 (13.39)	310 (12.2)	195 (7.68)	M6	M6	22 (48.4)
FR-HEL-H132K(FR-F740-02600-NA)	175 (6.89)	150 (5.91)	405 (15.94)	370 (14.57)	200 (7.87)	M8	M6	26 (57.2)
FR-HEL-H160K(FR-F740-03250-NA)	175 (6.89)	150 (5.91)	405 (15.94)	370 (14.57)	205 (8.07)	M8	M6	28 (61.6)
FR-HEL-H185K(FR-F740-03610-NA)	175 (6.89)	150 (5.91)	405 (15.94)	370 (14.57)	240 (9.44)	M8	M6	29 (63.8)

(Unit: mm (inches))

• FR-F740-04320, 04810-NA



• DC reactor supplied



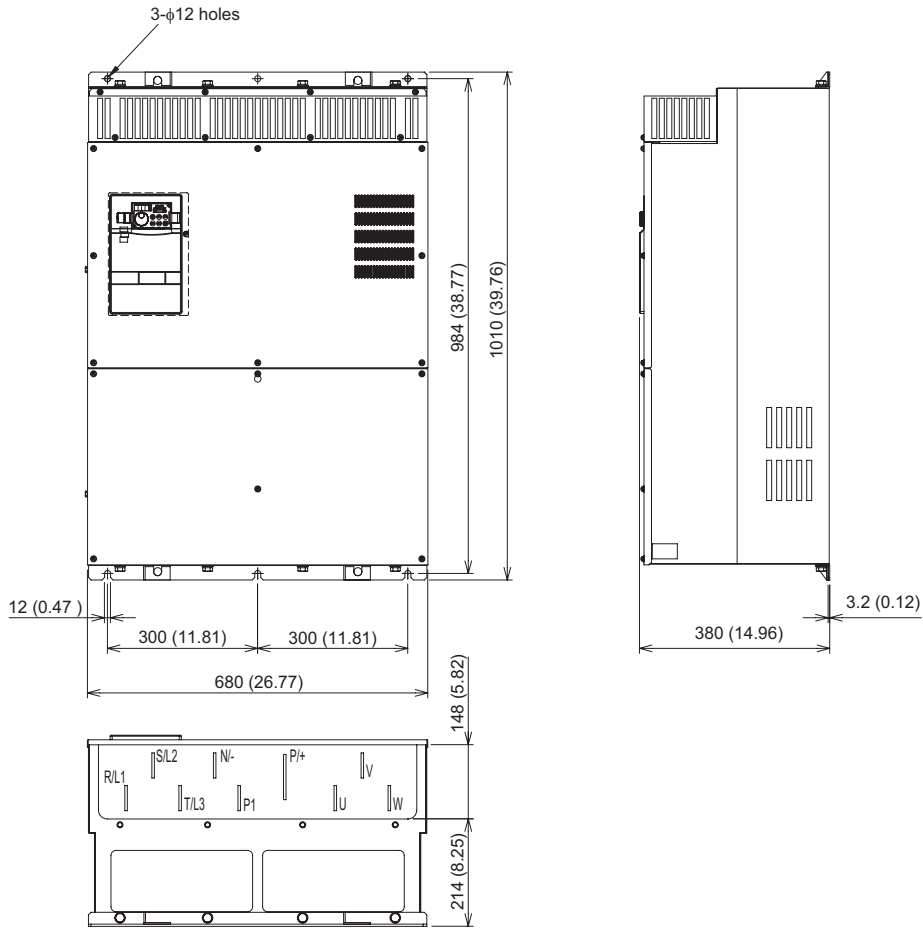
* Remove the eye nut after installation of the product.

DC reactor Model	W	W1	H	H1	D	S	S1	S2	φ	Mass (kg(lbs))
FR-HEL-H220K (FR-F740-04320-NA)	175 (6.88)	150 (5.9)	405 (15.94)	370 (14.56)	240 (9.44)	M8	M6	M6	M12	30 (66)
FR-HEL-H250K (FR-F740-04810-NA)	190 (7.48)	165 (6.49)	440 (17.32)	400 (15.74)	250 (9.84)	M8	M8	M8	M12	35 (77)

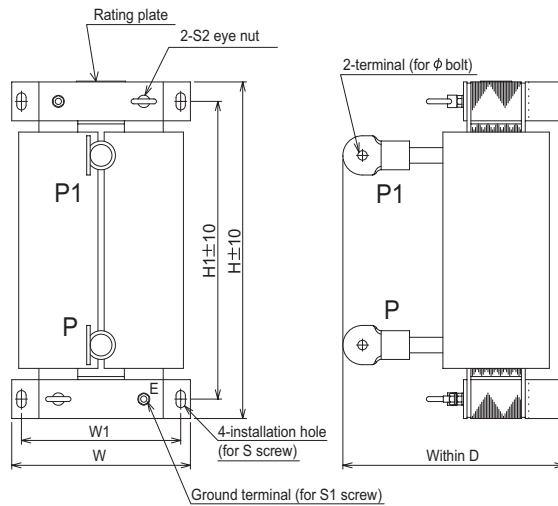
(Unit: mm (inches))



• FR-F740-05470, 06100, 06830-NA



• DC reactor supplied

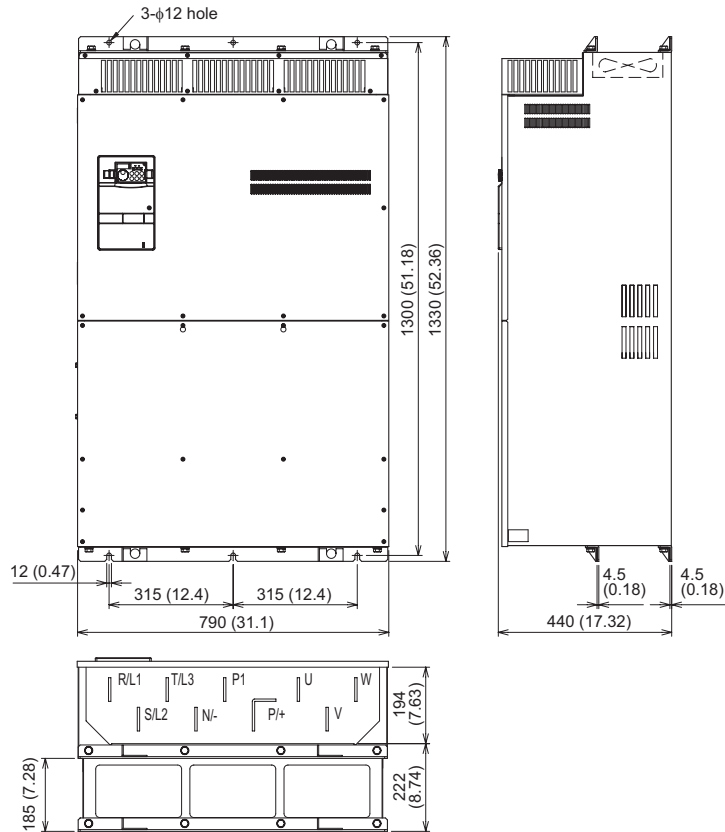


* Remove the eye nut after installation of the product.

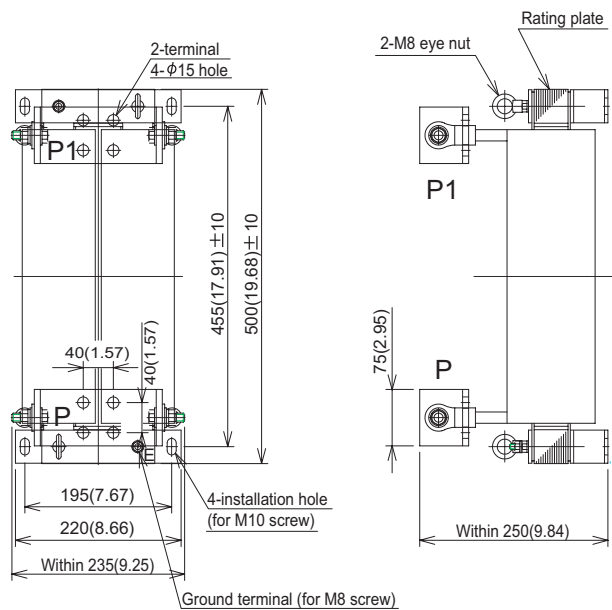
DC reactor Model	W	W1	H	H1	D	S	S1	S2	ϕ	Mass (kg(lbs))
FR-HEL-H280K (FR-F740-05470-NA)	190 (7.48)	165 (6.49)	440 (17.32)	400 (15.74)	255 (10.03)	M8	M8	M8	M16	38 (83.6)
FR-HEL-H315K (FR-F740-06100-NA)	210 (8.26)	185 (7.28)	495 (19.48)	450 (17.71)	250 (9.84)	M10	M8	M8	M16	42 (92.4)
FR-HEL-H355K (FR-F740-06830-NA)	210 (8.26)	185 (7.28)	495 (19.48)	450 (17.71)	250 (9.84)	M10	M8	M8	M16	46 (101.2)

(Unit: mm (inches))

• FR-F740-07700, 08660-NA



• DC reactor supplied



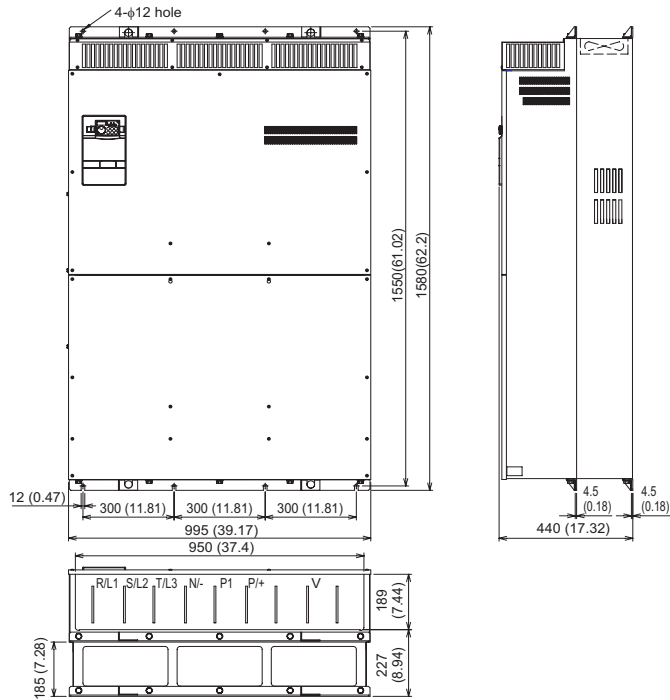
* Remove the eye nut after installation of the product.

DC reactor Model	Mass (kg(lbs))
FR-HEL-H400K (FR-F740-07700-NA)	50 (110)
FR-HEL-H450K (FR-F740-08660-NA)	57 (125.4)

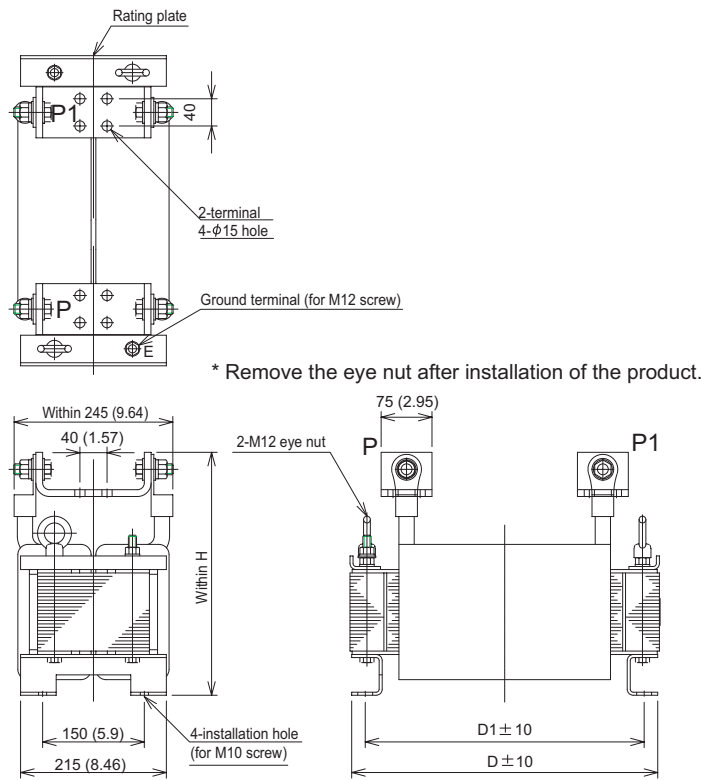
(Unit: mm (inches))



• FR-F740-09620, 10940, 12120-NA



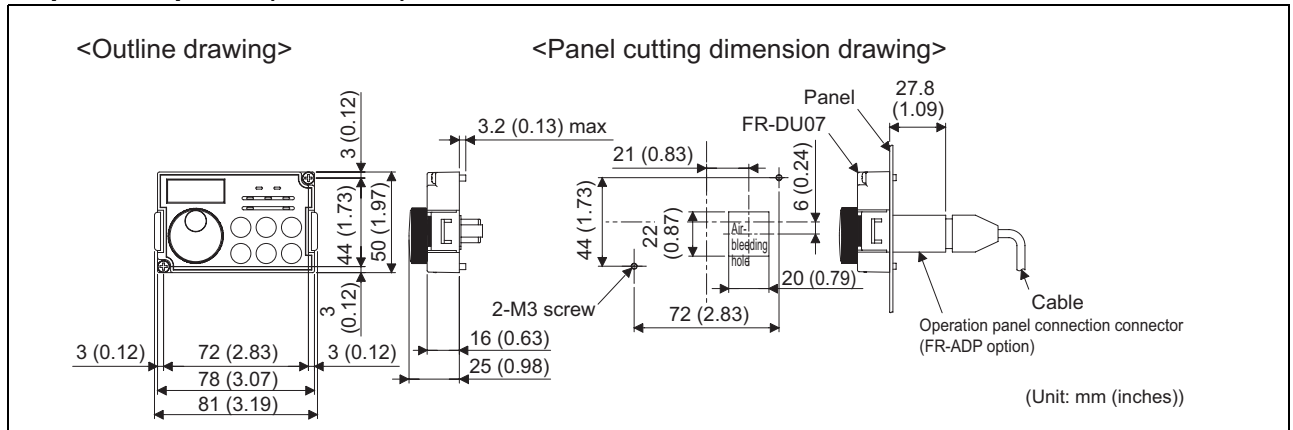
• DC reactor supplied



* Remove the eye nut after installation of the product.

DC reactor Model	H	D	D1	Mass (kg(lbs))
FR-HEL-H500K (FR-F740-09620-NA)	345 (13.5)	455 (17.91)	405 (15.94)	67 (147.4)
FR-HEL-H560K (FR-F740-10940-NA)	360 (14.17)	460 (18.11)	410 (16.14)	85 (187)
FR-HEL-H630K (FR-F740-12120-NA)	360 (14.17)	460 (18.11)	410 (16.14)	95 (209)

(Unit: mm (inches))

• Operation panel (FR-DU07)

• Parameter unit (option) (FR-PU07)
