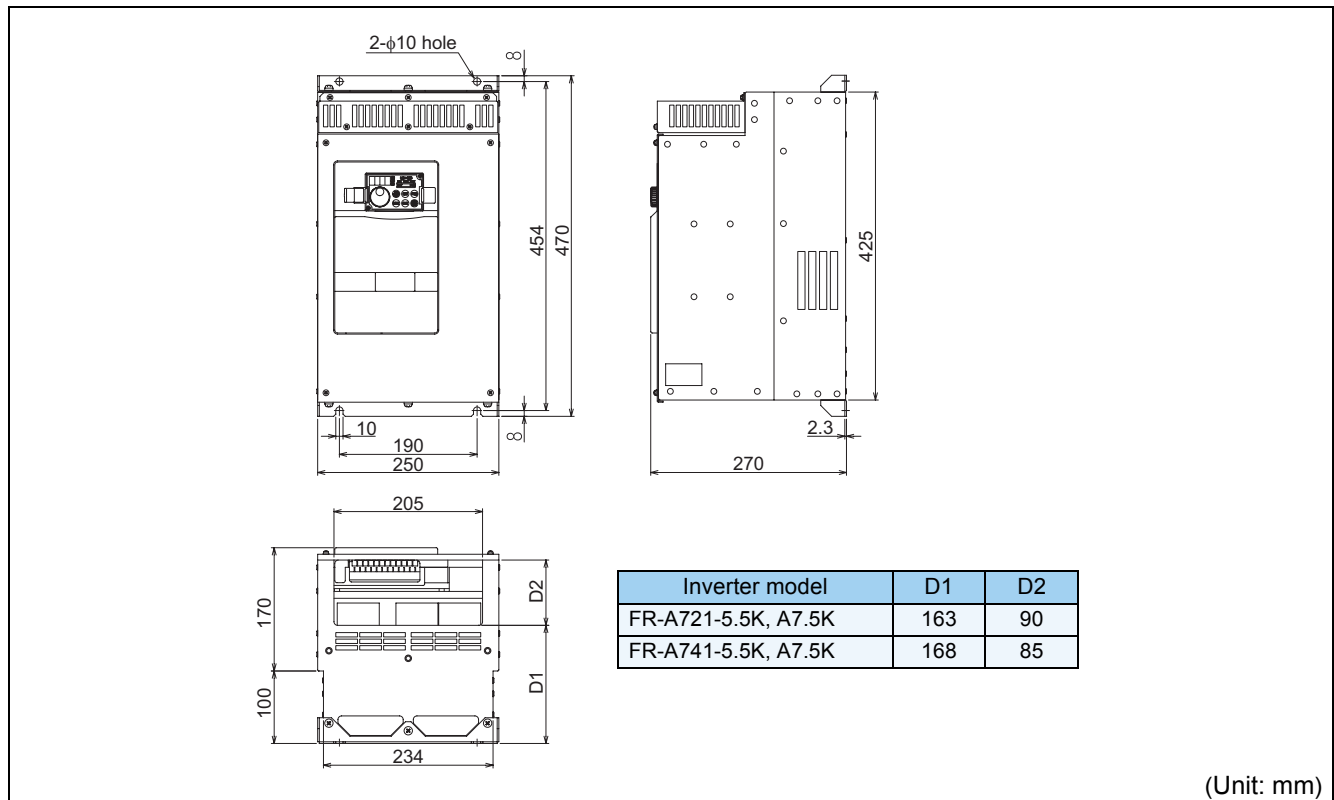


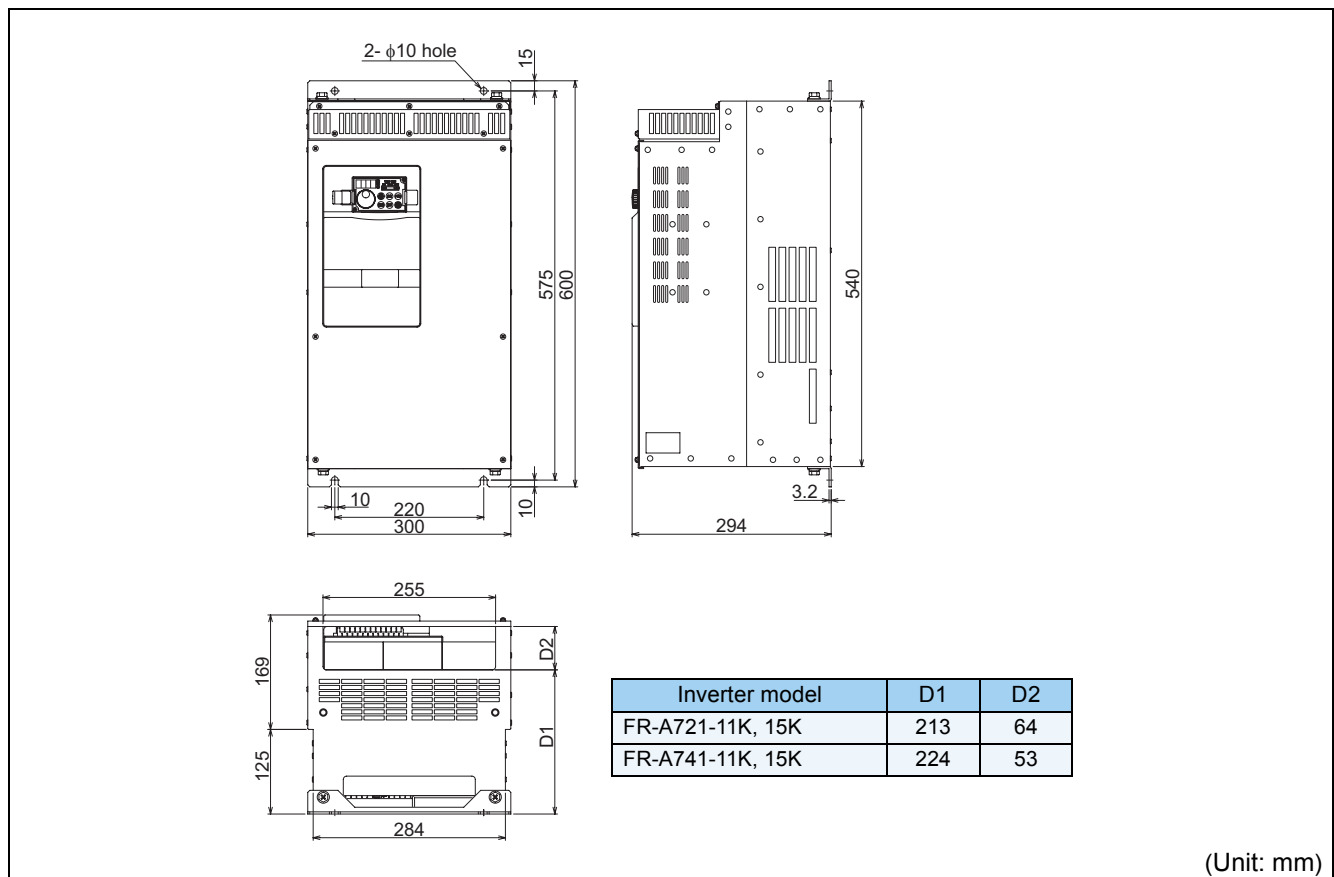
## 7.3 Outline dimension drawings

### 7.3.1 Inverter outline dimension drawings

- FR-A721-5.5K, 7.5K
- FR-A741-5.5K, 7.5K

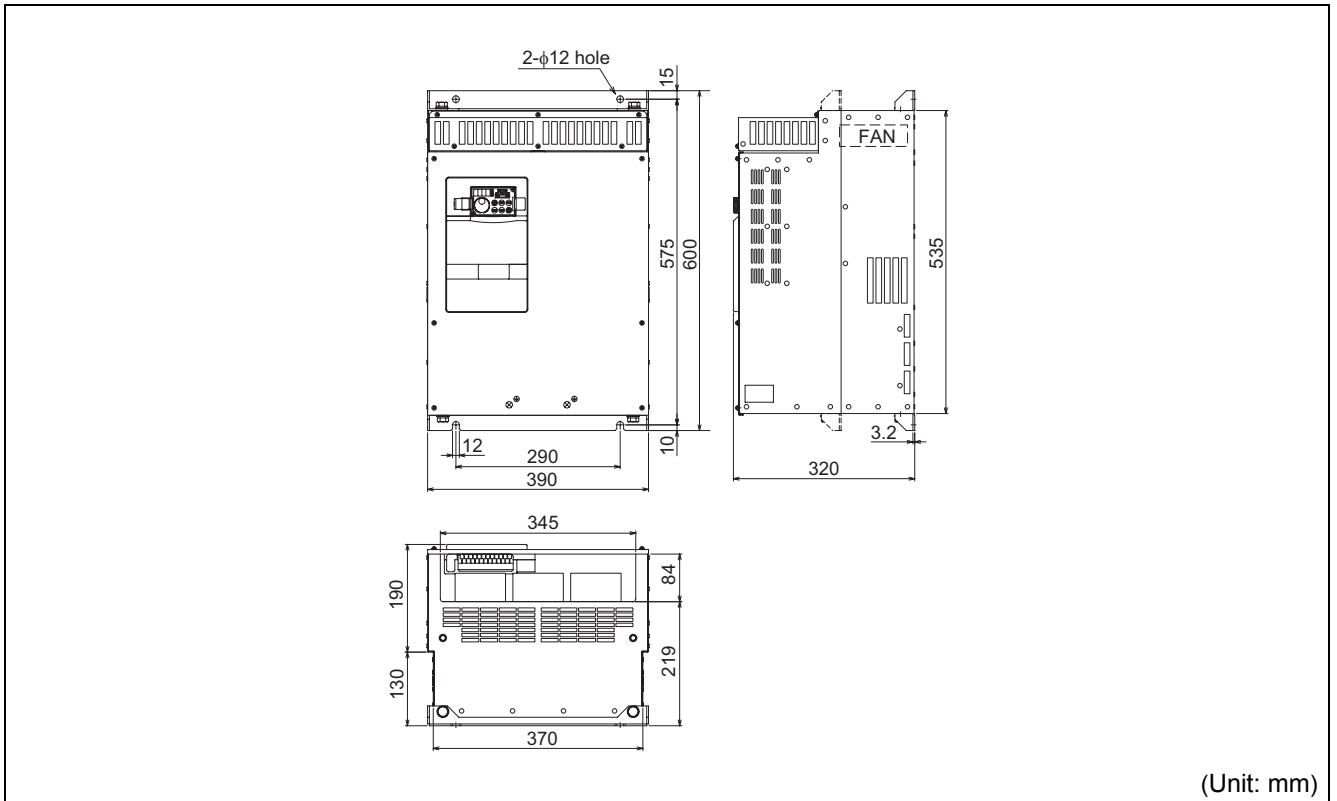


- FR-A721-11K, 15K
- FR-A741-11K, 15K

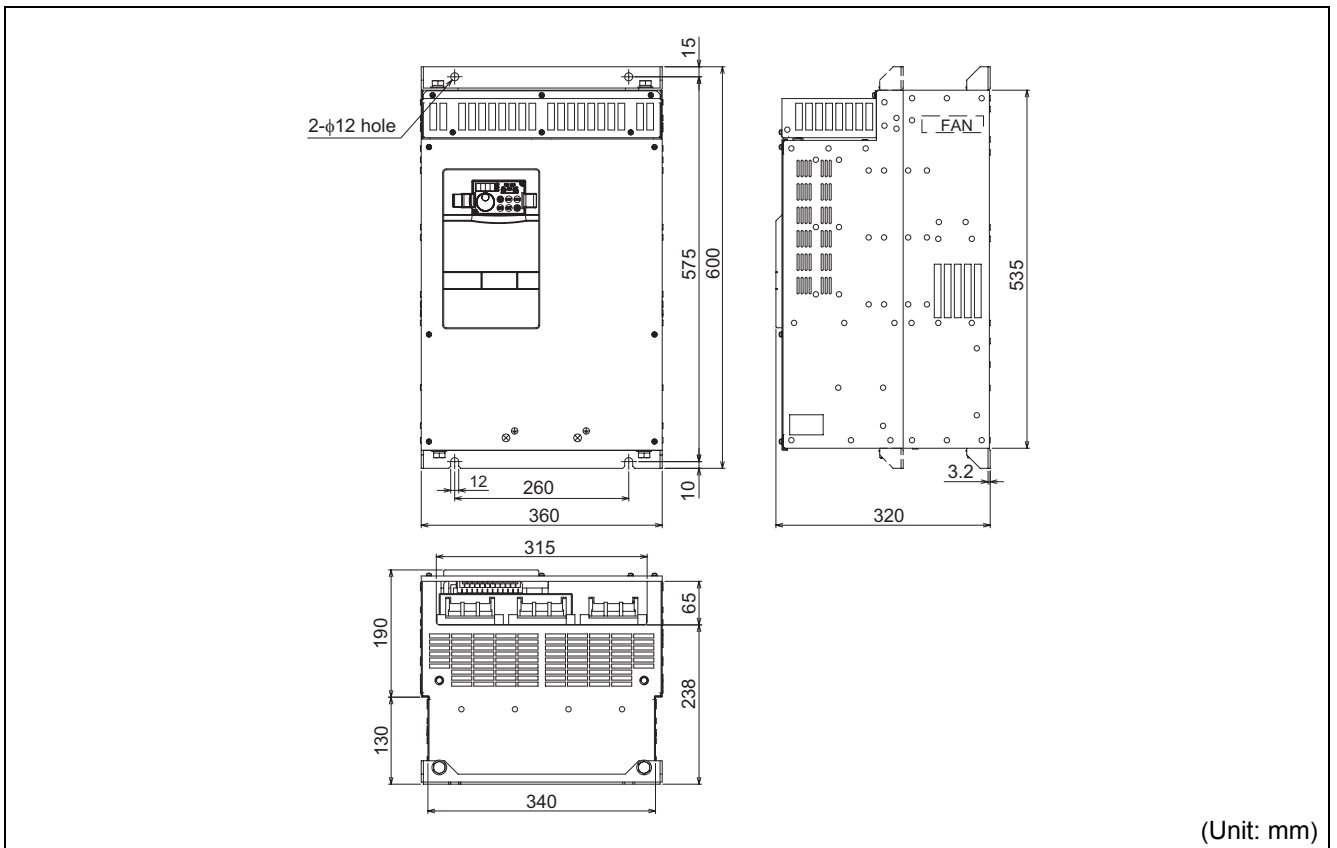




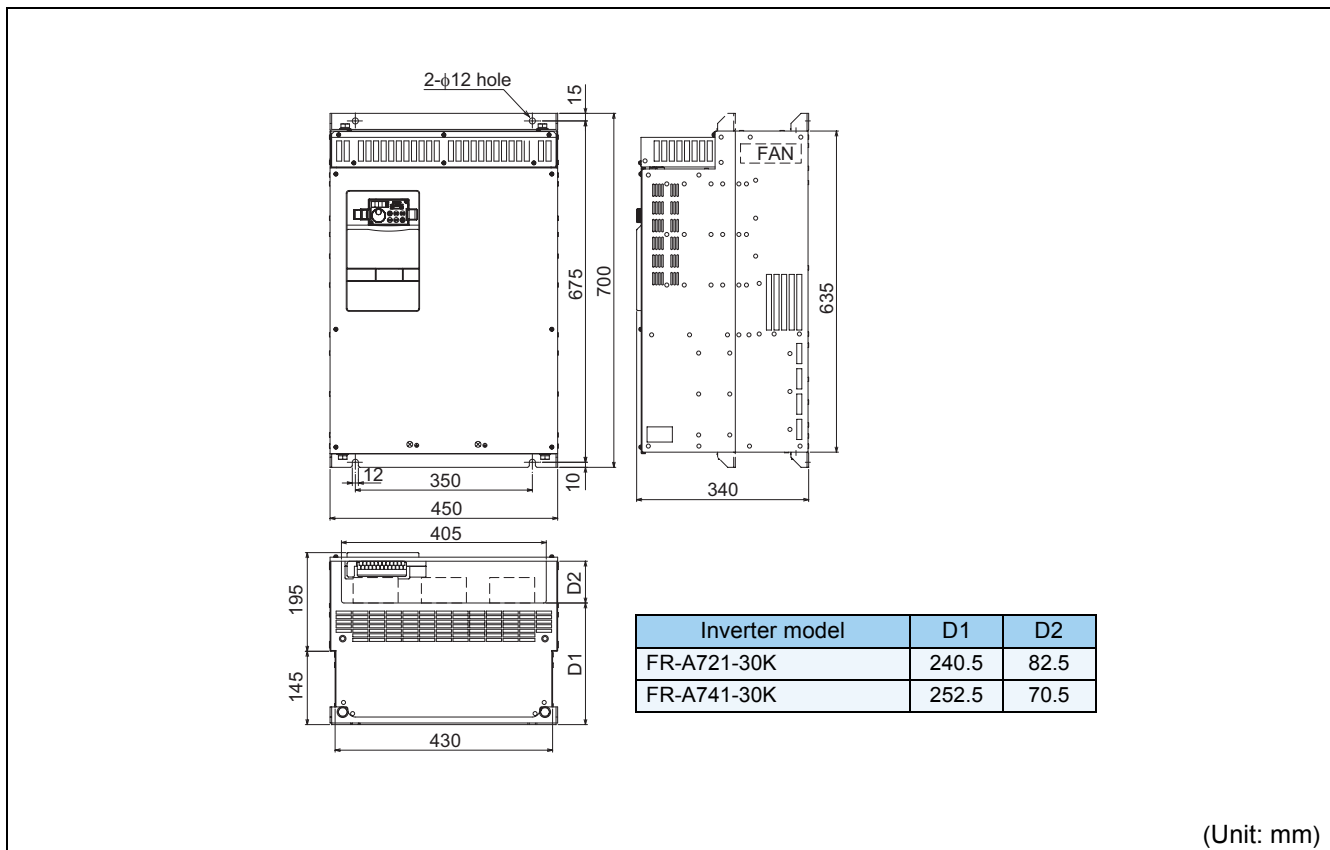
●FR-A721-18.5K, 22K



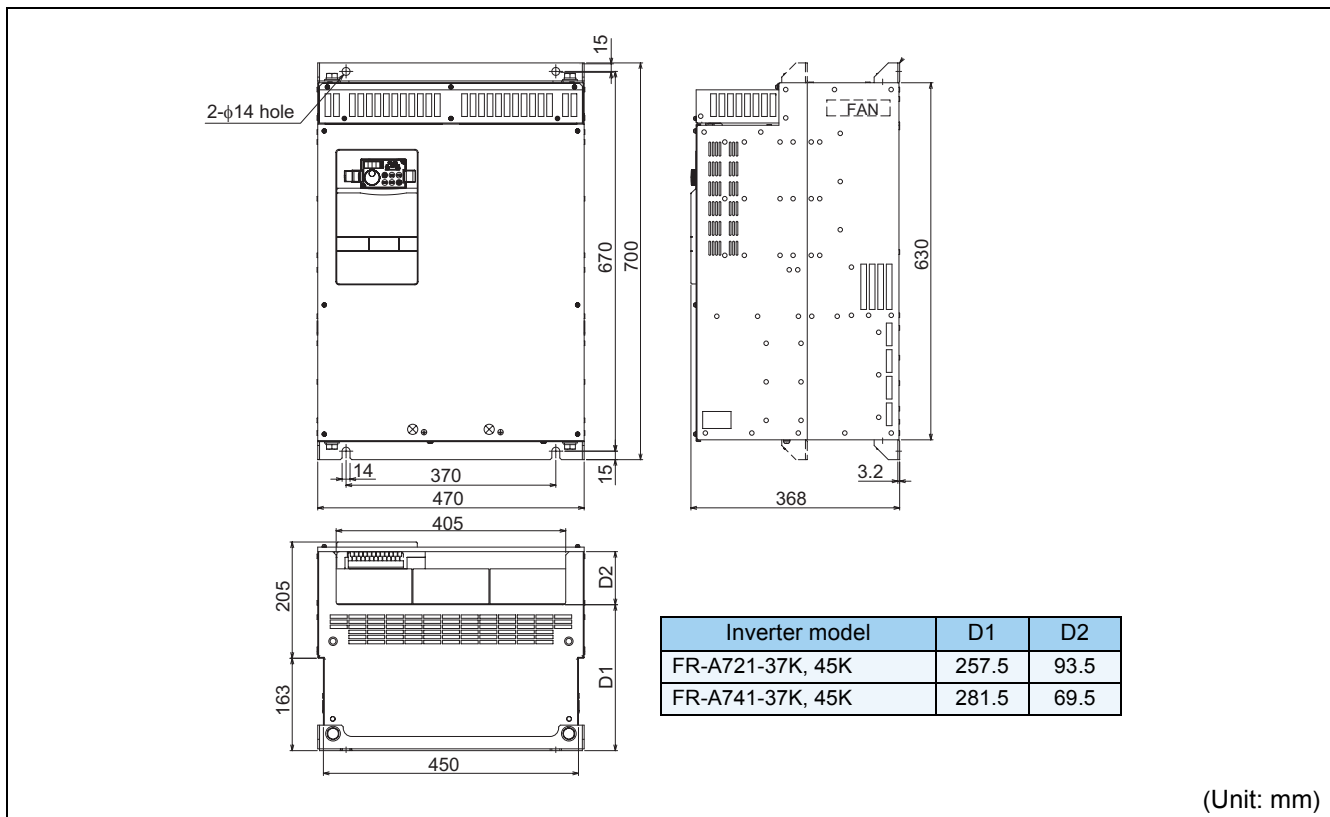
●FR-A741-18.5K, 22K



- FR-A721-30K
- FR-A741-30K



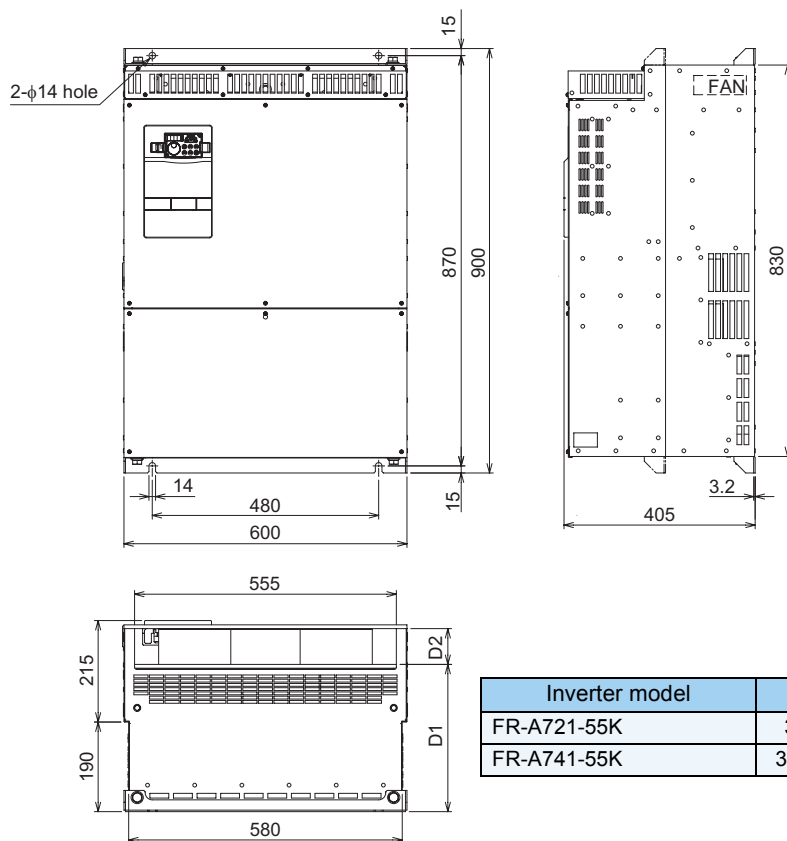
- FR-A721-37K, 45K
- FR-A741-37K, 45K



# Outline dimension drawings



- FR-A721-55K
- FR-A741-55K



(Unit: mm)